



PTC, LLC

November 20, 2008

Mr. Jaime Gascon
Metro Dade County
Building Code Compliance Office
Product Control Division
140 W. Flagler Street
Suite 1603
Miami, Florida 33130

Re: Fort Hurricane Products, Inc.'s "28FX" Impact Resistant Window Screen – Large Missile Impact & Associated Drawing as Listed

Dear Mr. Gascon:

I have reviewed and evaluated the N.O.A. listed below and associated drawing against the TAS 201-94, TAS 202-94 & TAS 203-94 test standards as previously approved in accordance to those standards in the 2004 FBC. Findings of this review conclude that there were no revision changes in these TAS test standards as identified in the reference standards in Chapter 35 of the 2004 FBC and Chapters 35 of the 2007 "Residential" FBC & 43 of the 2007 "Building" FBC that contain any text changes that would influence the outcome of tests or the ratings of materials or products based upon those tests. The N.O.A. and associated drawing covered in this letter are as follows:

<u>N.O.A.</u>	<u>Dwg. #</u>
05-0520.01	HSS0002 Rev. A

It is my conclusion that the product identified in the N.O.A. and associated drawing, listed above; meet the 2007 Florida Building Code.

Please feel free to contact me or James Moore if you should have any questions.

Respectfully,

Paul E. Winter, P.E.
FL. P.E. No. 22693



MIAMI-DADE COUNTY
BUILDING CODE COMPLIANCE OFFICE (BCCO)
PRODUCT CONTROL DIVISION

MIAMI-DADE COUNTY, FLORIDA
METRO-DADE FLAGLER BUILDING

140 WEST FLAGLER STREET, SUITE 1603
MIAMI, FLORIDA 33130-1563
(305) 375-2901 FAX (305) 375-2908

www.buildingcodeonline.com

NOTICE OF ACCEPTANCE (NOA)

Fort Hurricane Products, Inc.
1100 25TH Street (Unit 7 A)
West Palm Beach, Florida 33407

SCOPE:

This NOA is being issued under the applicable rules and regulations governing the use of construction materials. The documentation submitted has been reviewed by Miami-Dade County Product Control Division and accepted by the Board of Rules and Appeals (BORA) to be used in Miami Dade County and other areas where allowed by the Authority Having Jurisdiction (AHJ).

This NOA shall not be valid after the expiration date stated below. The Miami-Dade County Product Control Division (In Miami Dade County) and/or the AHJ (in areas other than Miami Dade County) reserve the right to have this product or material tested for quality assurance purposes. If this product or material fails to perform in the accepted manner, the manufacturer will incur the expense of such testing and the AHJ may immediately revoke, modify, or suspend the use of such product or material within their jurisdiction. BORA reserves the right to revoke this acceptance, if it is determined by Miami-Dade County Product Control Division that this product or material fails to meet the requirements of the applicable building code.

This product is approved as described herein, and has been designed to comply with the High Velocity Hurricane Zone of the Florida Building Code.

DESCRIPTION: 28FX / Impact Resistant Window Screen

APPROVAL DOCUMENT: Drawing No. HSS0002, titled "28FX / Impact Screen", sheets 1 through 5 of 5, prepared by PTC Engineering, Inc., dated April 20, 2005, last revision #A dated August 17, 2005, signed and sealed by L. Roberto Lomas, P.E., bearing the Miami-Dade County Product Control Approval stamp with the Notice of Acceptance number and approval date by the Miami-Dade County Product Control Division.

MISSILE IMPACT RATING: Large and Small Missile Impact

LABELING: Each unit shall bear a permanent label with the manufacturer's name or logo, city, state and the following statement: "Miami-Dade County Product Control Approved", unless otherwise noted herein.

RENEWAL of this NOA shall be considered after a renewal application has been filed and there has been no change in the applicable building code negatively affecting the performance of this product.

TERMINATION of this NOA will occur after the expiration date or if there has been a revision or change in the materials, use, and/or manufacture of the product or process. Misuse of this NOA as an endorsement of any product, for sales, advertising or any other purposes shall automatically terminate this NOA. Failure to comply with any section of this NOA shall be cause for termination and removal of NOA.

ADVERTISEMENT: The NOA number preceded by the words Miami-Dade County, Florida, and followed by the expiration date may be displayed in advertising literature. If any portion of the NOA is displayed, then it shall be done in its entirety.

INSPECTION: A copy of this entire NOA shall be provided to the user by the manufacturer or its distributors and shall be available for inspection at the job site at the request of the Building Official.

This NOA consists of this page 1, evidence submitted page (s) as well as approval document mentioned above. The submitted documentation was reviewed by **Helmy A. Makar, P.E.**



Helmy A. Makar
 09/22/2005

NOA No 05-0520.01
Expiration Date: 09/22/2010
Approval Date: 09/22/2005
Page 1

Fort Hurricane Products, Inc.

NOTICE OF ACCEPTANCE: EVIDENCE SUBMITTED

A. DRAWINGS

1. *Drawing No. IISS0002, titled "28FX / Impact Screen", sheets 1 through 5 of 5, prepared by PTC Engineering, Inc., dated April 20, 2005, last revision #A dated August 17, 2005, signed and sealed by L. Roberto Lomas, P.E.*

B. TESTS

1. *Test report on Large Missile Impact Test, Cyclic Wind Pressure Test and Uniform Static Air Pressure Test on "Impact Screen Window", prepared by Certified Testing Laboratories, Report No. CTLA 1366W-1, dated April 5, 2005, signed and sealed by Ramesh Patel, P.E.*
2. *Revised and marked up drawings from test lab (Certified Testing Laboratories).*

C. CALCULATIONS

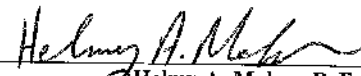
1. *Anchor calculations prepared by PTC Engineering, Inc., dated May 13, 2005, sheets 1 through 7 of 7, signed and sealed by L. Roberto Lomas, P.E.*
2. *Revised Anchor calculation prepared by PTC Engineering, Inc., dated August 15, 2005, sheets 1 through 7 of 7, signed and sealed by L. Roberto Lomas, P.E.*

D. QUALITY ASSURANCE

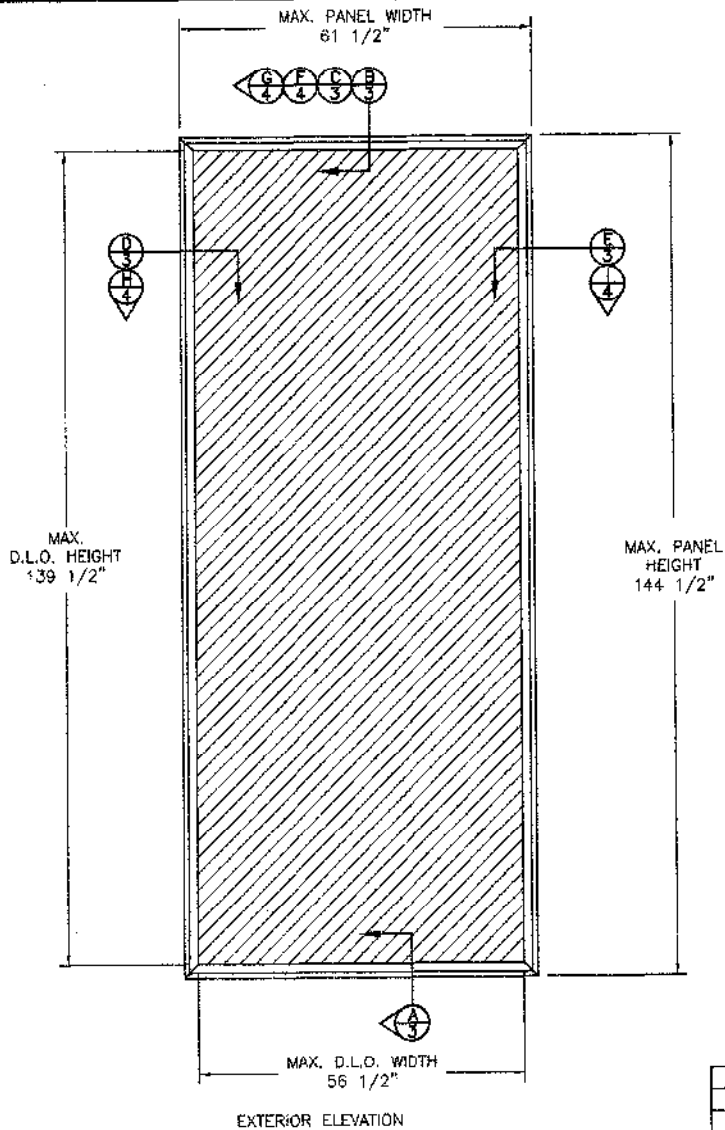
1. *By Miami-Dade County Building Code Compliance Office.*

E. MATERIAL CERTIFICATIONS

1. *Die drawings.*



Helmy A. Makar, P. E.
Product Control Examiner
NOA No 05-0520.01
Expiration Date: 09/22/2010
Approval Date: 09/22/2005



NOTES:

1. THE PRODUCT SHOWN HEREIN IS DESIGNED AND MANUFACTURED TO COMPLY WITH THE 2001 AND 2004 "HVHZ" FLORIDA BUILDING CODE.
2. CONCRETE, MASONRY & WOOD FRAMING TO BE DESIGNED AND ANCHORED TO PROPERLY TRANSFER ALL LOADS TO STRUCTURE. FRAMING IS THE RESPONSIBILITY OF THE ARCHITECT OR ENGINEER OF RECORD.
3. PANEL FRAME MATERIAL: ALUMINUM ALLOY 6063-T6.
4. A MINIMUM GLASS SEPARATION DISTANCE OF 4" SHALL BE PROVIDED FOR ALL INSTALLATIONS.

TABLE OF CONTENTS	
SHEETS	SHEET DESCRIPTION
1	ELEVATION & NOTES
2	ANCHORING & NOTES
3	INSTALLATION DETAILS IN CONCRETE & WOOD FRAME
4	INSTALLATION DETAILS IN CONCRETE & WOOD FRAME
5	COMPONENTS & B.O.M.

MAXIMUM ALLOWABLE DESIGN PRESSURE W/ 2 1/2" MIN. EDGE DISTANCE +114.3 PSF -114.3 PSF

Registered as complying with the
 Florida Building Code
 Date: 04/20/05
 OAA# 05-0520-01
 Florida Trade Practices Council
 Building
 Helmut A. Meier

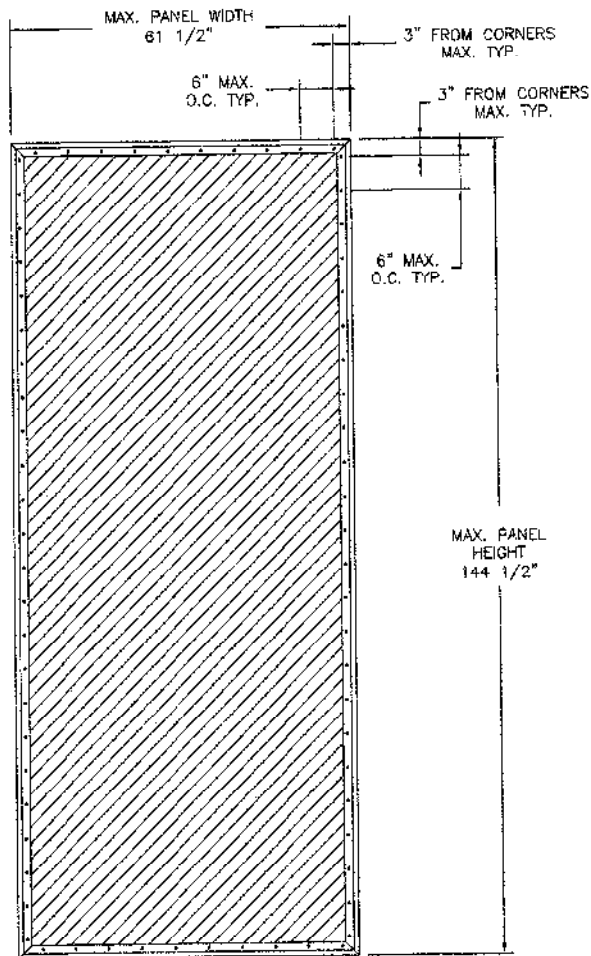
SYMBOL	REVISION	DATE	BY
A	Per Date County mark use dated 8/11/05	8/17/05	BB

David R. Lomas
05/20/05
 L. Roberto Lomas, P.E.
 Florida P. E. No. 62814
 PTC Engineering, Inc.
 2361 S.E. Seafury Lane
 Port St. Lucie, Florida 34952
 FBPE Certificate of Authorization No. 25935

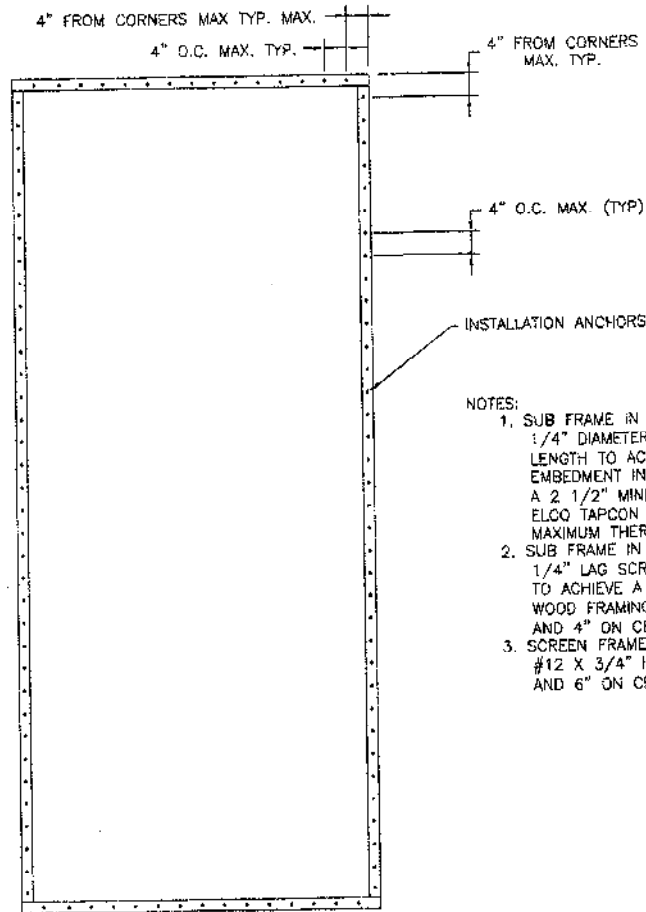
FORT HURRICANE PRODUCTS, INC.
 1100 25TH ST. UNIT 7A, WEST PALM BEACH, FL. 33407
 TITLE: 28FX IMPACT SCREEN
 ELEVATION & NOTES

PREPARED BY:	DATE:
PTC	04/20/05
SCALE:	DRAW. NO.:
N.T.S.	HSS0002
REV:	SHEET:
A	1 OF 5

PTC ENGINEERING, INC.
 Phone 772.388.4839 Fax 772.388.4834



SCREEN FRAME TO
ALUMINUM TUBE ANCHORING
EXTERIOR ELEVATION



ALUMINUM TUBE TO
SUBSTRATE/WALL ANCHORING
EXTERIOR ELEVATION

NOTES:

1. SUB FRAME IN CONCRETE:
1/4" DIAMETER ELCO TAPCON ANCHORS OF SUFFICIENT LENGTH TO ACHIEVE A MINIMUM OF 1 1/4" MINIMUM EMBEDMENT INTO CONCRETE OR MASONRY WITH A 2 1/2" MINIMUM EDGE DISTANCE. SPACE 1/4" DIAMETER ELCO TAPCON 4" FROM CORNERS & 4" ON CENTER MAXIMUM THEREAFTER.
2. SUB FRAME IN WOOD FRAMING:
1/4" LAG SCREW ANCHORS OF SUFFICIENT LENGTH TO ACHIEVE A MINIMUM EMBEDMENT OF 1 5/16" INTO WOOD FRAMING. SPACE SCREWS 4" FROM CORNERS AND 4" ON CENTER MAXIMUM THEREAFTER.
3. SCREEN FRAME:
#12 X 3/4" HEX HEAD SMS SPACE 3" FROM CORNERS AND 6" ON CENTER MAXIMUM THEREAFTER.

Approved as complying with the
Florida Building Code
Date: 08/17/05
NGAW: 03-0529-01
Florida State Product Control
By: *Helmut A. Helder*

SYM	REVISION	DATE	BY
A	Per Dade County mark ups dated 8/11/05	8/17/05	JB

Roberto L. Lomas
08/10/05

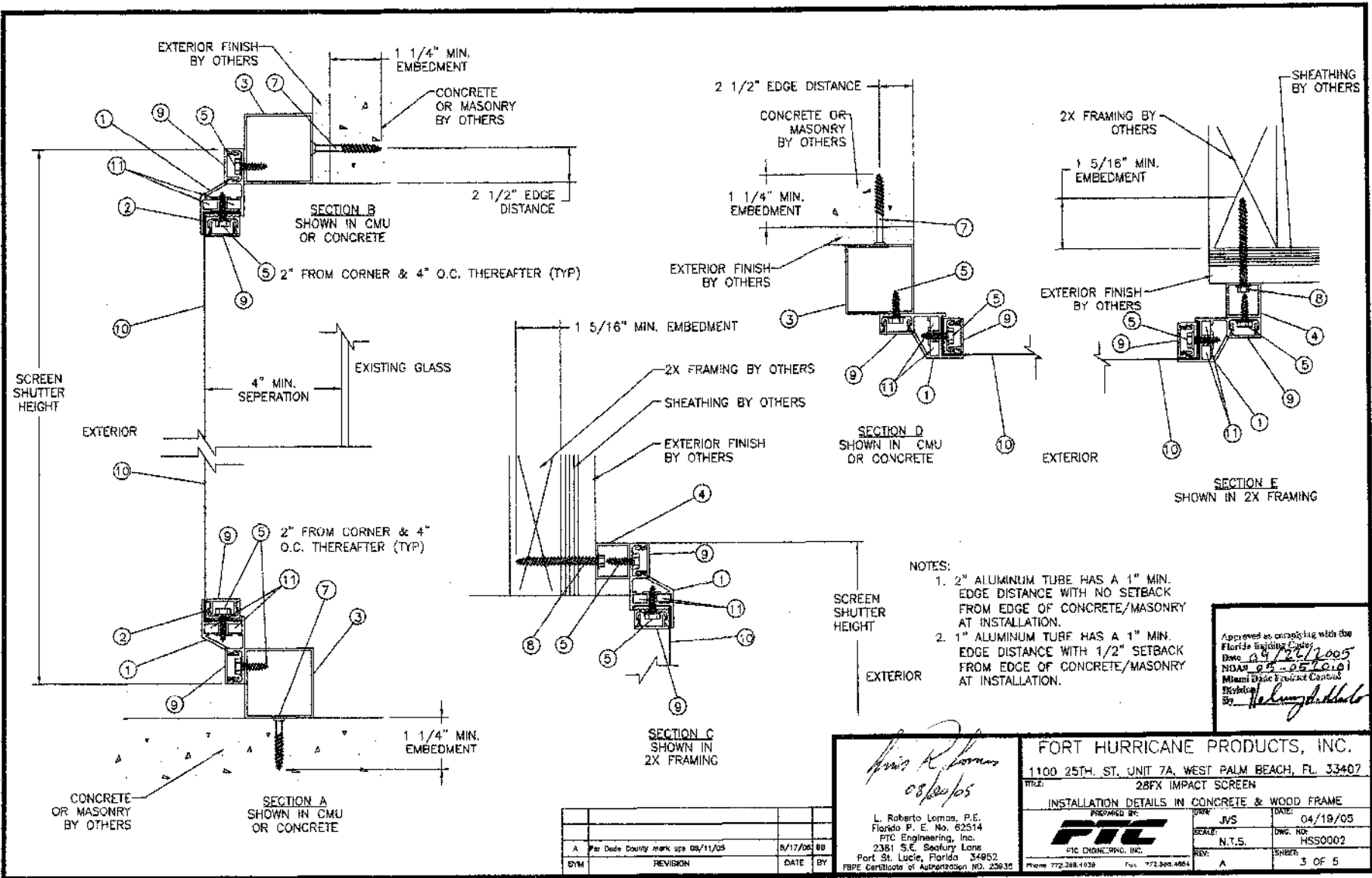
L. Roberto Lomas, P.E.
Florida P. E. No. 82514
PTC Engineering, Inc.
2381 S.E. Seafury Lane
Port St. Lucie, Florida 34952
FBPE Certificate of Authorization NO. 25635

FORT HURRICANE & PRODUCTS, INC.
1100 26TH ST. UNIT 7A, WEST PALM BEACH, FL. 33407

TITLE: 28FX IMPACT SCREEN
ANCHORING LAYOUT & NOTES

PREPARED BY:	DATE:
PTC	04/19/05
SCALE:	DWG. NO.:
N.T.S.	HSS0002
REV:	SHEET:
A	2 OF 5

Phone: 772.348.4636 Fax: 772.348.4634



- NOTES:
- 2" ALUMINUM TUBE HAS A 1" MIN. EDGE DISTANCE WITH NO SETBACK FROM EDGE OF CONCRETE/MASONRY AT INSTALLATION.
 - 1" ALUMINUM TUBE HAS A 1" MIN. EDGE DISTANCE WITH 1/2" SETBACK FROM EDGE OF CONCRETE/MASONRY AT INSTALLATION.

Approved as complying with the Florida Building Code
 Date: 04/19/05
 NDAR 05-0570101
 Miami-Dade Building Control Division
 By: *[Signature]*

NO.	REVISION	DATE	BY
A	Per Dade County mark up 05/11/05	5/17/05	BB
DYM			

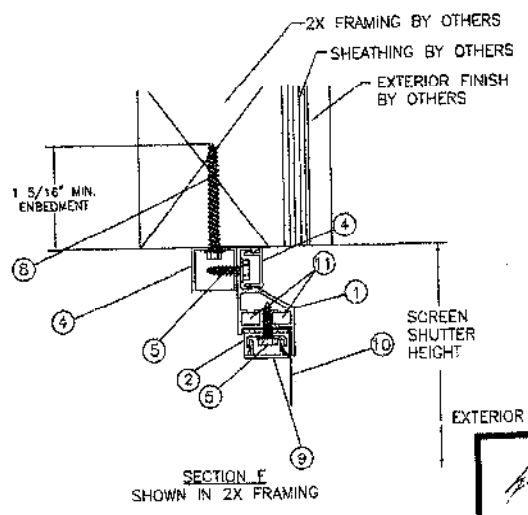
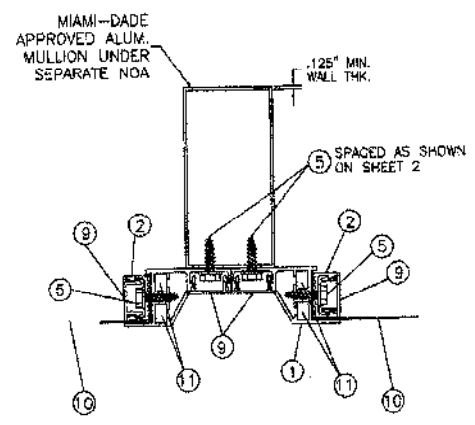
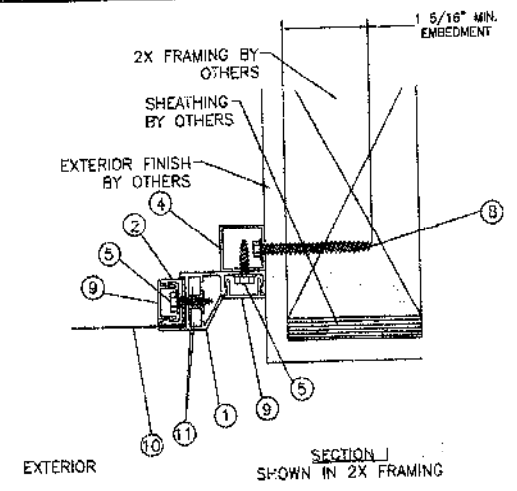
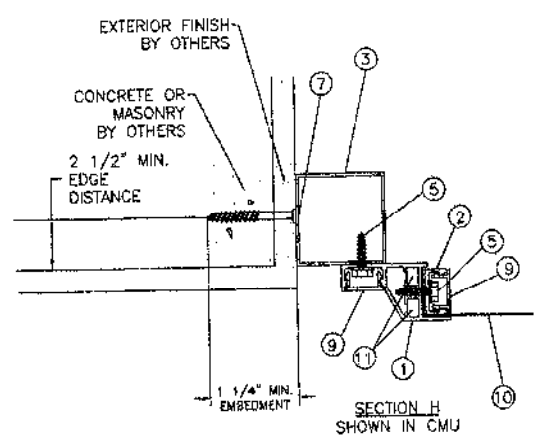
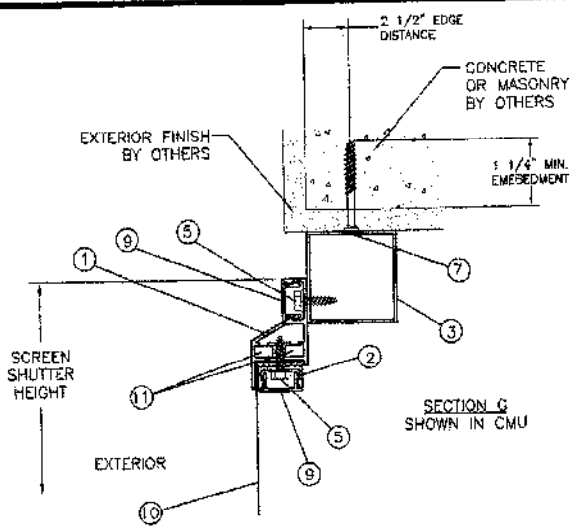
L. Roberto Lomas
05/17/05

L. Roberto Lomas, P.E.
 Florida P. E. No. 62514
 PTC Engineering, Inc.
 2381 S.E. Seafury Lane
 Fort St. Lucie, Florida 34952
 FBPE Certificate of Authorization NO. 23635

FORT HURRICANE PRODUCTS, INC.
 1100 25TH. ST. UNIT 7A, WEST PALM BEACH, FL. 33407
 TITLE: 28FX IMPACT SCREEN
 INSTALLATION DETAILS IN CONCRETE & WOOD FRAME

DESIGNED BY: JVS	DATE: 04/19/05
SCALE: N.T.S.	DWG. NO: HSS0002
REV: A	SHEETS: 3 OF 5

PTC ENGINEERING, INC.
 Phone 772-368-4139 Fax 772-368-4851



- NOTES:
1. 2" ALUMINUM TUBE HAS A 1" MINIMUM SETBACK FROM EDGE OF CONCRETE/MASONRY AT INSTALLATION.
 2. 1" ALUMINUM TUBE HAS A 1 1/2" MINIMUM SETBACK FROM EDGE OF CONCRETE/MASONRY AT INSTALLATION.

Approved as complying with the Florida Building Code
 Date: 09/21/2005
 NOAH 24-0570-01
 Miami Trade Product Control
 Division
 By: *[Signature]*

SYN	REVISION	DATE	BY
A	Per Dade County mark up 8/11/05	8/17/05	BB

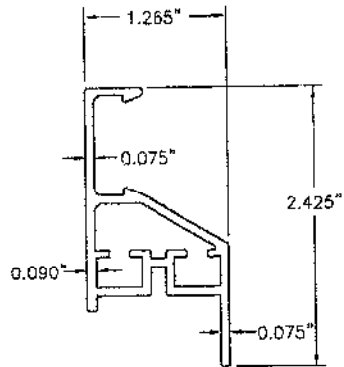
[Signature]
08/10/05

FORT HURRICANE PRODUCTS, INC.
 1100 25TH. ST. UNIT 7A, WEST PALM BEACH, FL. 33407
 TITLE: 28FX IMPACT SCREEN
 INSTALLATION DETAILS IN CONCRETE & WOOD FRAME

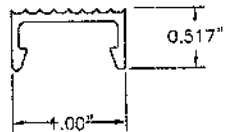
PREPARED BY: PTC	DATE: JVS	DATE: 4/19/05
SCALE: N.T.S.	DWG. NO: HSS0002	
REV: A	SHEET: 4 OF 5	

PTC ENGINEERING, INC.
 Phone 772.398.4835 Fax 772.398.4654
 L. Roberto Lomas, P.E.
 Florida P. E. No. 62514
 PTC Engineering, Inc.
 2361 S.E. Seafury Lane
 Port St. Lucie, Florida 34952
 FPC Certificate of Authorization NO. 25835

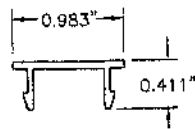
① FRAME HEAD, SILL & JAMB
TYP. WALL THICKNESS 0.075



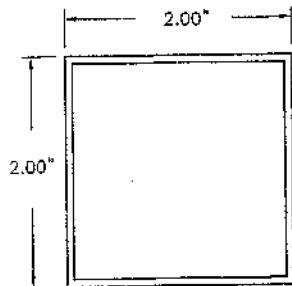
② WIRE RETAINER
TYP. WALL THICKNESS 0.075



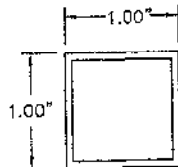
⑨ SCREW COVER
TYP. WALL THICKNESS 0.080



③ 2" X 2" ALUMINUM TUBE
TYP. WALL THICKNESS 0.062



④ 1" X 1" ALUMINUM TUBE
TYP. WALL THICKNESS 0.062



BILL OF MATERIALS

ITEM #	PART #	DESCRIPTION
1	2713	FRAME HEAD, SILL & JAMB 6005-T6 ALUMINUM
2	2721	WIRE RETAINER 6005-T6 ALUMINUM
3		2" X 2" X 1/16" ALUMINUM TUBE 6063-T5 ALUMINUM
4		1" X 1" 1/16" ALUMINUM TUBE 6063-T5 ALUMINUM
5		#12-14 X 3/4" HEX HEAD SMS SCREW
6		NOT USED
7		1/4" X 2 1/4" TAPCON
8		1/4" X 2 1/2" LAG SCREW
9	2730	SCREW COVER
10		MESH 12X12 SCREEN SS 304 THREAD 0.028" OR 0.032" THICK
11		CORNER KEY 2" X 2" X 1.1" X 1/4"

Approved as complying with the
Florida Building Code
Date 04/19/05
NO. 05-05-03
Miami-Dade Product Control
Division
By: *Hedley*

Roberto Lomas
04/19/05

FORT HURRICANE PRODUCTS, INC.
1100 25TH. ST. UNIT 7A, WEST PALM BEACH, FL. 33407
TITLE: 28FX IMPACT SCREEN
COMPONENTS & B.O.M.

SYM	REVISION	DATE	BY
A	Per Data mark ups	4/11/05	RL

PREPARED BY:
PTC
PTC ENGINEERING, INC.

DATE: 04/19/05
SCALE: N.T.S.
SHEET: 5 OF 5

L. Roberto Lomas, P.E.
Florida P. E. No. 62514
PTC Engineering, Inc.
2361 S.E. Seafury Lane
Port St. Lucie, Florida 34952
FBPE Certificate of Authorization TC 25635

Phone 772.385.4630 Fax 772.388.4854